

Twistable two-way clamp mountings

Aluminium

SPECIFICATION

Aluminium

- matt, slide ground **MT**
- anodized, black **ELS**

Socket cap screws DIN 912
Stainless Steel AISI 304

Grub screw DIN 915
Stainless Steel AISI 304

Clamping kits GN 511 (see page 1893)



INFORMATION

Twistable two-way clamp mountings GN 475 connect rods and tubes within the clamp mounting system under any adjustable angle. With the angle adjustment released, the clamp mounting halves stay connected with formlocking effect.

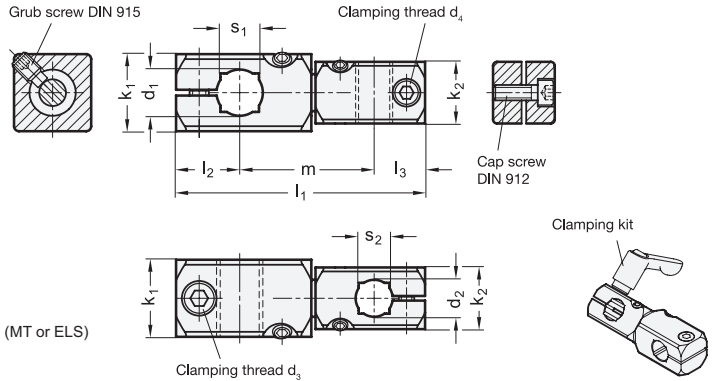
The standard version of the clamping screws at the clamping threads d_3 and d_4 are socket cap screws with hexagonal socket DIN 912. They can be replaced by an adjustable clamping lever GN 511 (see page 1893).

TECHNICAL INFORMATION

- Stainless Steel characteristics (see page A26)

ACCESSORY

- Clamping kits GN 511 (see page 1893)



* Complete with Finish of the Twistable two-way clamp mountings (MT or ELS)

MT	ELS
matt, slide ground	anodized, black

GN 475

Description	d1 For shaft tolerance h11	d2 For shaft tolerance h11	k1	k2	d3	d4	l1	l2	l3	m	s1	s2	Clamping kits for d3	Clamping kits for d4	⚖
GN 475-B8-B8-*	B 8	B 8	16	16	M 4	M 4	52.5	13	13	26.5	-	-	GN 511-M4-16	GN 511-M4-16	34
GN 475-B10-B8-*	B 10	B 8	20	16	M 5	M 4	58	15.5	13	29.5	8	-	GN 511-M5-20	GN 511-M4-16	50
GN 475-B10-B10-*	B 10	B 10	20	20	M 5	M 5	63.5	15.5	15.5	32.5	8	8	GN 511-M5-20	GN 511-M5-20	65
GN 475-B12-B8-*	B 12	B 8	20	16	M 5	M 4	62	16.5	13	32.5	10	-	GN 511-M5-20	GN 511-M4-16	54
GN 475-B12-B12-*	B 12	B 12	20	20	M 5	M 5	71.5	16.5	16.5	38.5	10	10	GN 511-M5-20	GN 511-M5-20	73
GN 475-B15-B10-*	B 15	B 10	25	20	M 6	M 5	75.5	20	15.5	40	12	8	GN 511-M6-25	GN 511-M5-20	105
GN 475-B15-B12-*	B 15	B 12	25	20	M 6	M 5	79.5	20	16.5	43	12	10	GN 511-M6-25	GN 511-M5-20	108
GN 475-B15-B15-*	B 15	B 15	25	25	M 6	M 6	87.5	20	20	47.5	12	12	GN 511-M6-25	GN 511-M6-25	143
GN 475-B16-B12-*	B 16	B 12	25	20	M 6	M 5	81	20	16.5	44.5	-	10	GN 511-M6-25	GN 511-M5-20	112
GN 475-B16-B16-*	B 16	B 16	25	25	M 6	M 6	90.5	20	20	50.5	-	-	GN 511-M6-25	GN 511-M6-25	139
GN 475-B20-B15-*	B 20	B 15	30	25	M 6	M 6	95	22	20	53	16	12	GN 511-M6-30	GN 511-M6-25	193
GN 475-B20-B16-*	B 20	B 16	30	25	M 6	M 6	96.5	22	20	54.5	16	-	GN 511-M6-30	GN 511-M6-25	196
GN 475-B20-B20-*	B 20	B 20	30	30	M 6	M 6	102.5	22	22	58.5	16	16	GN 511-M6-30	GN 511-M6-30	242

Weight ELS